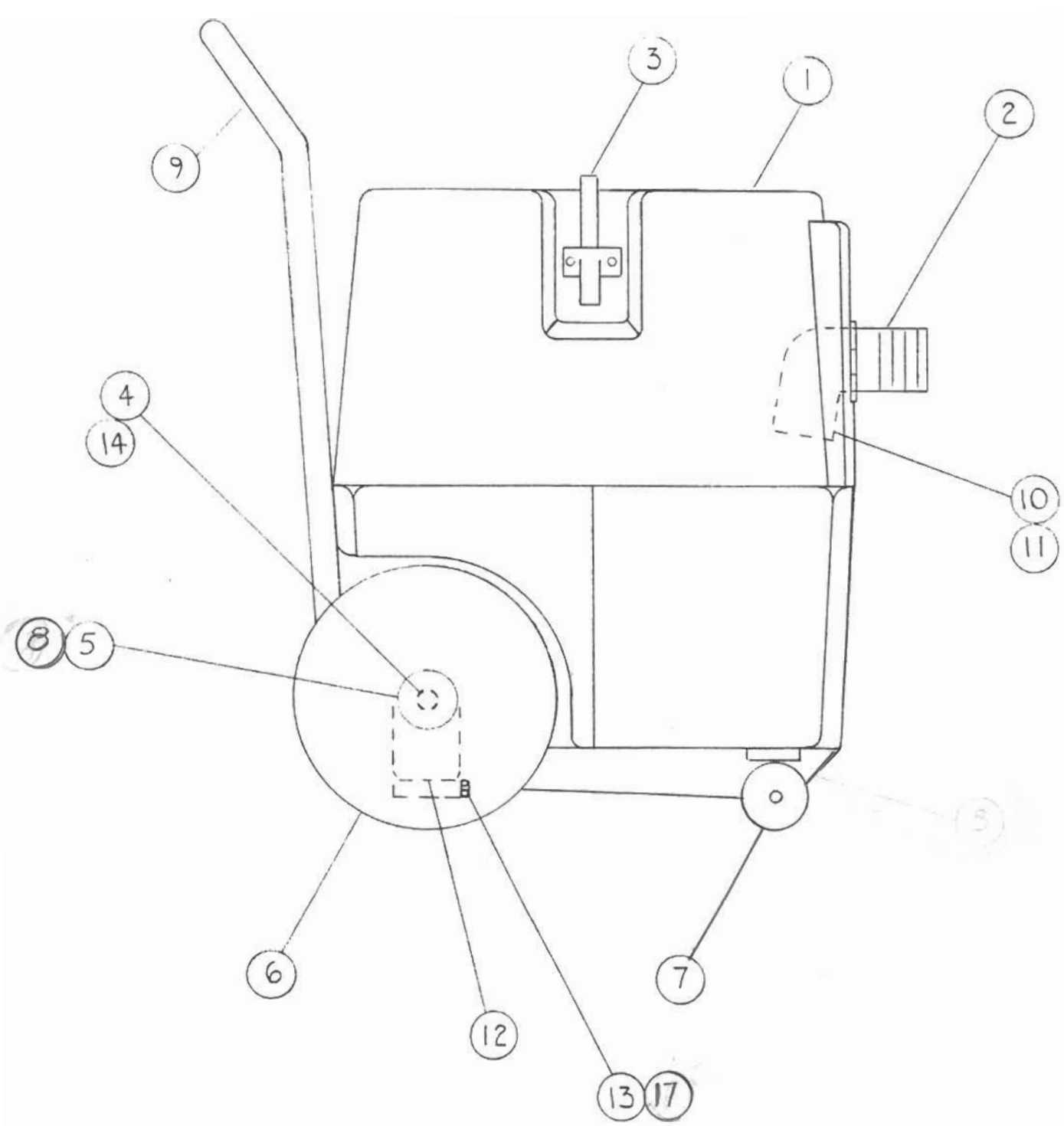


When changing motor, **DO NOT** over-tighten screws to the point of closing off the air space. Check with a piece of wire or paper clip to make sure there is an opening.

H.E.P.A Vacuum

Item	Qty	Part#	Description
1	1	2026	Rocker Switch
2	4	1009	S. Stl. Lock Nut
3	7	1007	S. Stl. Machine Screw
4	1	2042	Gasket 5085-5105
	1	2152	Gasket 7130
5	1	2050	5-085 Vac Motor
	1	2051	5-105 Vac Motor
	1	2055	7-130 Vac Motor
6	1	2038	Recpt. Clip
7			
8	1	1050	#10 Nylon Washer
9	1	1052	3/8" Bolt
10	1	2146	Float Cage
11	1	1051	3/8" Nylon Washer
12	1	2027	Powerhead Recpt.
13	1	2057	Gasket 5085-5105
	1	2040	Gasket 7130
14	1	2025	Bottom Spinning
15	1	2023	Outside Spinning
16	1	2024	Motor Spinning
17	3	1006	Speed Nut
18	1	2022	Top Spinning
19	2	1004	1/4" Screw
20	2	1005	1/4" Nut
21	1	2021	Top Handle
22	1	2043	Top Gasket 5085-5105
22	1	2041	Top Gasket 7130
23	2	2036	Ground Clip N/S
24	4	2037	3M Splicer N/S
25	1	2039	Gasket
26	1	2028	Strain Relief & Nut
27	1	2029	35' Powercord
28	1	1031	7 3/8" Washer
29	1	4030	H.E.P.A Filter



H.E.P.A. Vacuum

Item	Oty	Part#	Description
1	1	2010 <i>H</i>	10 Gallon Tank
	1	2015 <i>H</i>	15 Gallon Tank
2	1	2007	Intake
3	2	2006	Latch
4	1	2003	Axle 10 Tank
5	2	2004	Hub Cap
6	2	2001	8" Wheel
7	2	2002	Caster
8	2	1003	Washer- 10 Gal. only
9	1	4016	Handle
10	1	2008	Deflector Elbow
11	1	2009	Intake Gasket
12	2	2049	Handle Bracket
13	2	1027	1/4-20 x 1-3/4" Screw
14	1	2056	Axle 15 Tank
15	1	2018	Bag Ring N/S
16	1	4049	Coated Filter Bag
17	2	1020	1/4" Thick Washer

Filters Not Shown:

4013	Collector Bag 6/Pkg.
4031	Bag Protector 5 Pkg.
4032	Bag Liner 12/Pkg.